

Hybrid(TVI/AHD) PTZ Camera

10X, WDR, 1080P

DHC-10SETA

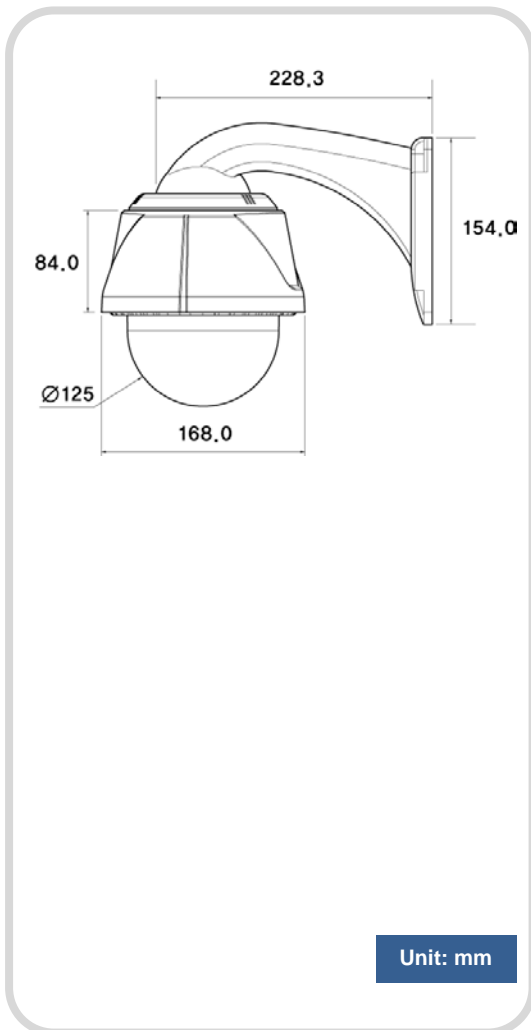
◆ Picture



◆ Feature

- 1/3" Panasonic PS-CMOS
- 2Megapixel Hybrid(TVI & AHD) PTZ Camera
- Optical 10x Zoom, Digital 32x Zoom, Auto Focus
- Day & Night with ICR
- Low up to 0.003Lux with DSS(x32)
- WDR(120dB), Digital Image Stabilizer, 3D DNR
- Motion Detection, Privacy Masking (8), Defog
- Time Schedule, User Password
- Control P/T/Z without data cable (UTC)
- Preset(250), Group(12), Tour, Trace, Alarm(4/1)
- Outdoor Type(IP66), Dehumidification, Fan/Heater

◆ Dimensions



◆ Specifications

MODEL	DHC-10SETA
Video	
Image Sensor	1/3" 2Mega Panasonic CMOS
Scan mode	Progressive Scan
Total number of pixels	1,956(H) x 1,266(V), 2.4M Pixels
Number of active pixels	1,944(H) x 1,092(V), 2.3M Pixels
Resolution	1080P
Minimum illumination	Color : 0.5Lux , BW : 0.1Lux Min. 0.003Lux with DSS(32x)
Video Output	TVI/AHD Selectable
S/N Ratio	50dB
Lens	
Lens	5.1~51mm(10x), F1.6 (wide) ~ F1.8 (tele) Optical(10x), Digital Zoom(32x), Total Zoom (320x)
Focus mode	Auto / Manual / Oneshot
Angle of view	D:68° (W)~67° (T), H:54°(W)~4.9°(T), V:31°(W)~4°(T)
Pan/ Tilt	
Pan/Tilt angle	360° Endless / 92°
Pan Speed	0.1° ~ 240°/sec (64 Levels), Preset: 360°/sec
Preset point	250 Presets
Alarm in/out	4 Inputs / 1 Relay Output
Function	
Day & Night	Day / Auto Slow / Auto Fast / Night
Back Light	HLC / BLC / WDR
White Balance	AUTO / Indoor/ Outdoor
AGC	On/Off
DNR	Off / Low / Middle / Max / Auto
Defog	Off/Auto/Manual
Privacy / Motion	8 Zones / 1 Zones
Brightness	Level Setting
Color Level	Level Setting
Stabilize	On/Off
UTC	Available
Time Schedule	Available
Dehumidification	Available
Environment	
Operating Humidity	30 % ~ 90 % RH
Operating Temp.	- 40°C to 50°
Electrical	
Power Consumption	Max 16W
Power Supply	AC24V, 50/60Hz
Mechanical	
Construction	Aluminum body , Clear vandal bubble (PC)
Dimension	168mm(Diameter) x 175.6(Height) mm
Weight	About 3.3Kg