

IP IR PTZ Camera

30X, WDR, 1080P

DMC-322SEIW

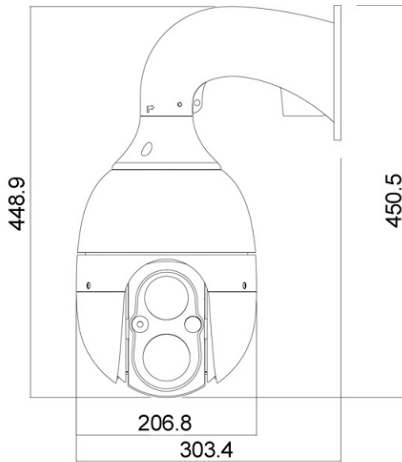
Picture



Feature

- 1/3" Panasonic PS-CMOS
- 2Megapixel IP PTZ Camera
- Optical 30x Zoom, Digital 32x Zoom, Auto Focus
- Day & Night with ICR, Low up to 0.003Lux with DSS(x32), LED On: 0Lux
- WDR(120dB), Digital Image Stabilizer, 3D DNR
- Motion Detection, Privacy Masking (8), Defog, Time Schedule
- Preset(250), Group(12), Tour, Trace, Alarm(1/1)
- Outdoor Type(IP66), Dehumidification, Fan/Heater
- Max. IR Distance 150m (2 IR LEDs with a Motorized Zoom LED)
- High Performance Streaming (Max. 30/25fps live view@1920x1080)

Dimensions



Unit: mm

Specifications

MODEL	DMC-322SEIW
Video	
Image Sensor	1/3" 2Mega Panasonic CMOS
Scan mode	Progressive Scan
Total number of pixels	1,956(H) x 1,266(V), 2.4M Pixels
Number of active pixels	1,944(H) x 1,092(V), 2.3M Pixels
Resolution	1080P
Minimum illumination	Color : 0.5Lux , BW : 0.1Lux Min. 0.003Lux with DSS(32x)
Video Output	LAN / CVBS : 1.0Vp-p, 75Ω Composite
S/N Ratio	50dB
Lens	
Lens	4.3~129mm(F1.6~F4.7) Optical(30x), Digital Zoom(32x), Total Zoom (960x)
Focus mode	Auto / Manual / Oneshot
Angle of view(WxT)	D:71.3°~2.58°, H:58.9°~2.11°, V:45.3°~1.61°
Network	
Hardware	Flash (32Mbyte), RAM (256Mbyte) Ethernet: RJ-45(10/100BASE-T) Channel 1ch (CVBS)
Video Output	Compression H.264 & MJPEG Dual Codec FULL HD(1920X1080),HD(1280X720P), VGA(640X480),QVGA(320X240) Max. Frame rate 30/25 fps Bitrate control : CBR or VBR(64K~12Mbps)
Audio	Audio In(1), Audio Out(1),8 bit PCM (G711 u-law) 8KHz, Mono
Memory Slot	SD/SDHC Memory Slot
Event	Alarm / Motion Detection : E-mail, FTP, Event, Noti- Service
Recording	Manual / Schedule / motion Detection / Sensor Event
Client Viewer	Web viewer, CMS, Max-i
Network Protocol	HTTP, TCP/IP, UDP, ARP, ICMP, RTP/RTSP/ DHCP, Telnet, FTP, .NTP, DDNS, SMTP, UPNP, PPPoE, Onvif, PSIA
Pan/ Tilt	
Pan/Tilt angle	360° Endless / 92°
Pan Speed	0.1° ~ 240°/sec (64 Levels), Preset: 360°/sec
Preset point	250 Presets
Alarm in/out	1 Inputs / 1 Relay Output
Function	
Day & Night	Day / Auto Slow / Auto fast / Night
Back Light	WDR / HLC / BLC
White Balance	Auto/ Indoor / Outdoor
DNR	Off / Low / Middle / Max / Auto
Privacy / Motion	8 Zones / 1 Zones
Color Level	Level Setting
Stabilize(EIS)	On/Off
Defog	Off/Auto/Manual
IR Distance	150m: IR LED 1pcs and 1pcs with motorized)
Environment	
Operating Humidity	30 % ~ 90 % RH
Operating Temp.	- 50°C to 50°
Electrical & Mechanical	
Power Consumption	Max 42W
Power Supply	AC24V, 50/60Hz
Construction	Aluminum body (Ivory)
Dimension	206.8(W)X450.5(H)mm
Weight	About 8.6Kg (Camera Only)
Certificate	CE, FCC, IP66, IK10