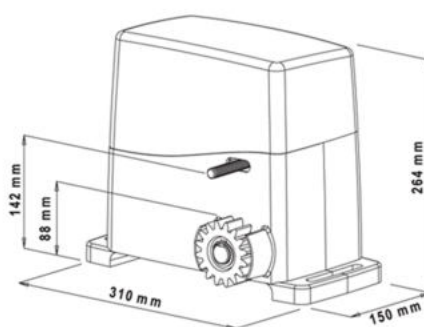


ROY INDUSTRIALE

Operator 230V \ 380 V for sliding gates up to 2000 kg in weight.



TECHNICAL SPECIFICATIONS

ROY 16

ROY 20

POWER SUPPLY	230 V 50-60 HZ	230 V 50-60 HZ
MOTOR POWER SUPPLY	230 V 50-60 HZ	24 VCC
MAX. ABSORBED POWER	300 W	500 W
MAX. ABSORBED CURRENT	1,3 A	1,3 A
RATED TORQUE	15 NM	16 NM
USE FREQUENCY	60" ON 90" OFF	90" ON 60" OFF
GATE SPEED	12 MT/MIN.	12 MT/MIN.
MAX GATE WEIGHT	1600 KG	2000 KG
LUBRICATION	OIL	OIL
OPERATOR WEIGHT	13 KG	13 KG
IP GRADE	IP55	IP55

AVAILABLE ACCESSORIES



12/24V SAFETY
PHOTOCELLS



2CH REMOTE
CONTROL



4CH REMOTE
CONTROL



FLASHING
LIGHT



KEY SWITCH