

YH280- LED Magnetic lock



Description

working voltage/current : 12V/450mA ;

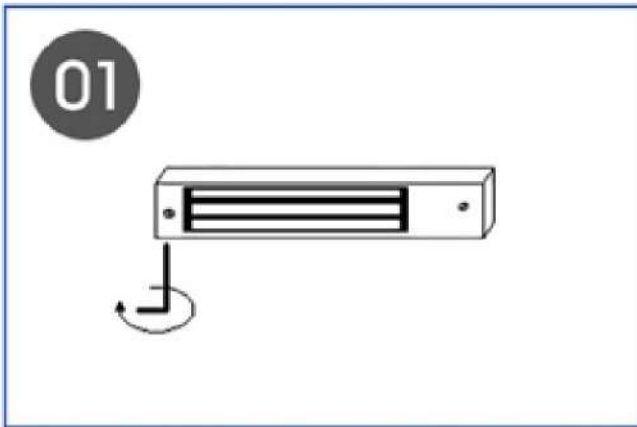
Under tension : 280 kg (600 lb)

Size : 250L×42W×25H(mm)

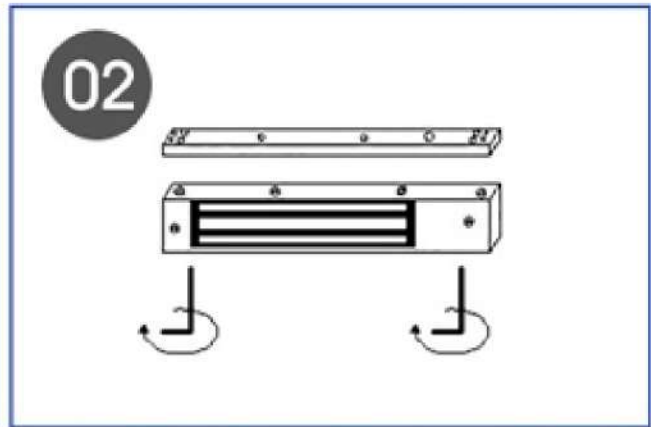
Suitable: wooden door, glass door, metal door



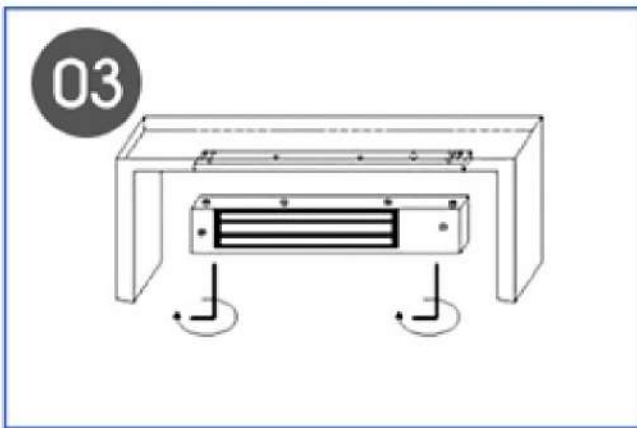
Note: The magnetic installation method of single and double doors is the same



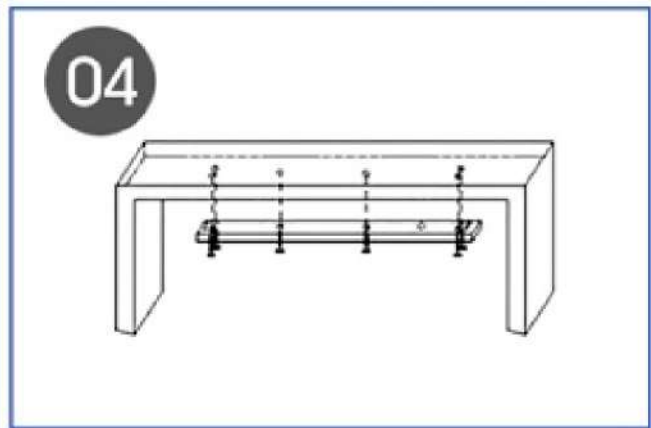
Step 1: Open the anti-theft lock screw



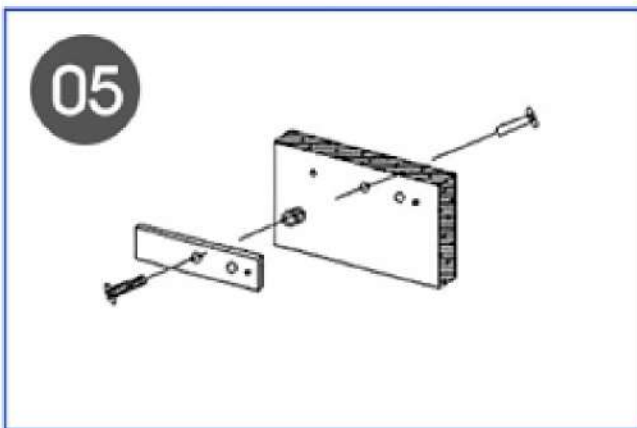
Step 2: Take out the fixed lock body mounting plate



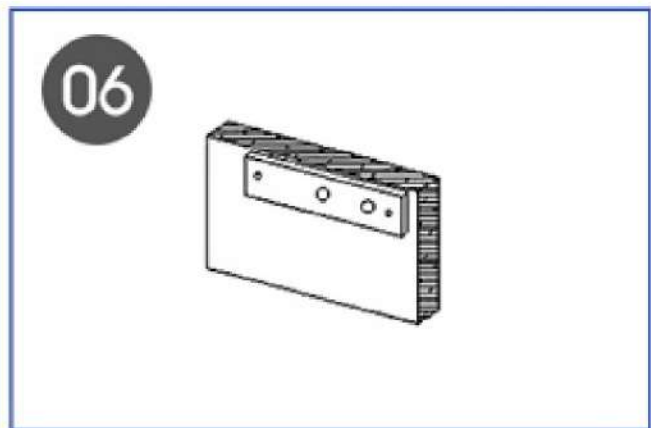
Step 3: Install the lock body



Step 4: Install the fixed lock body mounting plate



The fifth step; install the magnetic sheet



Step 6: Schematic diagram of installation completion

Anti-theft hex screw design

The access control magnetic lock uses hexagonal screws and is equipped with a special screw wrench, which is safe and anti-theft, and cannot be disassembled by outsiders, adding an insurance!



High strength aluminum alloy material

The access control magnetic lock is made of aluminum alloy as the main material, which is sturdy and durable. It is suitable for iron doors, wooden doors, stainless steel doors, fire doors, security doors, and framed glass doors.

